

# CHLORIDE

*Secure Power Always*

## Chloride CP3000NV (60 - 160 kVA)



Secure, scalable, transformerless solutions for small to medium critical power requirements.

## Chloride CP3000NV (60 - 160 kVA)



### Chloride CP3000NV UPSs

The CP3000NV family includes the CP3080 and CP3160 module ranges. It brings new levels of modularity, flexibility and efficiency to high density applications ranging from advanced blade servers and communications gear to light industrial systems.

High efficiency transformerless design in both 480 V in/out and 208 V in/out applications reduces direct electrical and cooling costs, while reducing weight, minimizing footprint, and simplifying installation. The advanced IGBT front end assures low input harmonics and simple generator interface.

Ideal for medium sized data centers and other mid-range applications, the CP3000NV family can address virtually any power level requirement from 60 to 160 kVA with a single module system and up to 960 kVA in parallel configurations of up to 6 modules.

### Dependable technology

- True on-line operation
- Efficiency up to 94%
- Parallelable, up to 6 modules
- Automated battery management
- Blade server (leading power factor) ready
- Active IGBT front end THDi <5%
- Generator friendly
- Field upgradable

---

### Convenient standard features

- Small footprint with front-only access
- Top and bottom cable entry
- User friendly display and operator controls
- Quiet operation
- Dual input capability
- Mechanical interlock standard on matching bypass cabinets
- Power walk-in (selectable)
- Easy installation and maintenance
- ManageUPS® Net Adapter - SNMP/Web for UPSs
- Casters

### Versatile options

- Modular options cabinets for external maintenance bypass, transformers, collector bus, and other accessories
- Line-up-and-match battery cabinets
- ManageUPS Net +B Modbus Adapter
- MopUPS® PR parallel/redundant management/shutdown software
- Extended warranties and service plans

---

### Reliable service

- 24-hour technical support
- Nationwide network of local, experienced, factory trained technicians

---

### Assured safety & quality

- Listed to UL 1778, CSA 22.2 No. 107.3
- All cabinets provide seismic mounting features
- ISO 9001 & ISO 14001

**Meeting your requirements, exceeding your expectations**

The Chloride CP3000NV UPS Series incorporates modular cabinets which can be configured and installed to meet your preferences, requirements and constraints.

If your application calls for line-up-and-match installation, you can install the UPS, matching battery cabinets, and bypass or power distribution cabinets all in one integrated suite. Top and bottom entry capability, along with internal power connections, provide for a striking, highly functional, and economical installation.

However, if your floor plan does not permit integrated installations, or if you need power distribution on multiple floors, the Chloride CP3000NV system can meet your requirements as well in stand alone installations.

*Integrated line-up-and-match*



**Battery cabinet**

**UPS module**

**Accessory cabinet:**

- Maint. bypass
- Transformer
- Distribution

*Flexible stand alone installation*



- Saves space
- Neat installation
- Flexible configuration—line-up-and-match or separate, stand alone installation

**Applications:**

Small to medium datacenters



Light industrial



Telecommunications



Instrumentation



# CHLORIDE

	CP3080060		CP3080080	
	2X2	4X4	2X2	4X4
Base part number*	C3080060A22SNN	C3080060A44SNN	C3080080A22SNN	C3080080A44SNN
Power rating (kVA/kW)	60/54	60/54	80/72	80/72
Input voltage (VAC) (single input)	208	480	208	480
(dual input)	208	480	208	480
Bypass Input	208	480	208	480
Input voltage tolerance	+10%, -15%	+10%, -15%	+10%, -15%	+10%, -15%
Input frequency (Hz)	60, ± 5	60, ± 5	60, ± 5	60, ± 5
Input power factor	0.99	0.99	0.99	0.99
Input current (nominal/max) (A)	161/202	70/87	215/269	93/116
Input THDi - no filter required	< 4.5%	< 4.5%	< 4.5%	< 4.5%
Output voltage	208	480	208	480
Output voltage regulation	± 1%	± 1%	± 1%	± 1%
Nominal output current (A)	167	72	222	96
Output voltage THD: (100% linear load)	<2%	<2%	<2%	<2%
(non-linear load)	< 5%	< 5%	< 5%	< 5%
Full load heat rejection (BTU/hr)	17,722	16,424	23,630	21,898
Load power factor	0.9 leading - 0.9 lagging		0.9 leading - 0.9 lagging	
Output frequency (Hz)	60	60	60	60
System efficiency 100% load	up to 94%		up to 94%	
UPS dimensions HxWxD - in (cm)**	73.7 H X 18.9 X 31.6 (187.2 x 48 x 80.3)		73.7 H X 18.9 X 31.6 (187.2 x 48 x 80.3)	
UPS net weight (lb/kg)	640	568	640	568
Overload capacity	102% up to 110% for 10 min. 110% up to 125% for 30 secs. 125% for 10 secs.		102% up to 110% for 10 min. 110% up to 125% for 30 secs. 125% for 10 secs.	
Maximum acoustical (dBA)	65 dBA @ 3 ft (0.9 m)		65 dBA @ 3 ft (0.9 m)	
Temperature	operating: 32°F - 104°F (0°C - 40°C)		operating: 32°F - 104°F (0°C - 40°C)	
Relative humidity	≤95%, non-condensing		≤95%, non-condensing	
Altitude	5000 ft / 1500 m asl without derating		5000 ft / 1500 m asl without derating	
Connectivity	ManageUPS Net SNMP/WEB card standard		ManageUPS Net SNMP/WEB card standard	

\* Part numbers listed are for single input, non-paralleled modules. Contact factory for additional configurations.

\*\* Allow 1 inch (25.4 mm) on each side for end caps in stand-alone installations.

	CP3160100		CP3160120		CP3160160	
	2X2	4X4	2X2	4X4	2X2	4X4
Base part number*	C3160100A22SNN	C3160100A44SNN	C3160120A22SNN	C3160120A44SNN	C3160160A22SNN	C3160160A44SNN
Power rating (kVA/W)	100/90	100/90	120/108	120/108	160/144	160/144
Input voltage (VAC) (single input)	208	480	208	480	208	480
(dual input)	208	480	208	480	208	480
Bypass Input	208	480	208	480	208	480
Input voltage tolerance	+10%, -15%	+10%, -15%	+10%, -15%	+10%, -15%	+10%, -15%	+10%, -15%
Input frequency (Hz)	60, ± 5	60, ± 5	60, ± 5	60, ± 5	60, ± 5	60, ± 5
Input power factor	0.99	0.99	0.99	0.99	0.99	0.99
Input current (nominal/max) (A)	269/336	116/146	323/403	140/175	430/538	186/233
Input THDi - no filter required	< 4.5%	< 4.5%	< 4.5%	< 4.5%	< 4.5%	< 4.5%
Output voltage	208	480	208	480	208	408
Output voltage regulation	± 1%	± 1%	± 1%	± 1%	± 1%	± 1%
Nominal output current (A)	278	120	333	120	445	227
Output voltage THD: (100% linear load)	<2%	<2%	<2%	<2%	<2%	<2%
(non-linear load)	< 5%	< 5%	< 5%	< 5%	< 5%	< 5%
Full load heat rejection (BTU/hr)	29,600	27,400	35,500	32,800	47,300	43,800
Load power factor	0.9 leading - 0.9 lagging		0.9 leading - 0.9 lagging		0.9 leading - 0.9 lagging	
Output frequency (Hz)	60		60		60	
System efficiency 100% load	up to 94%		up to 94%		up to 94%	
UPS dimensions HxWxD - in (cm)**	73.7 H X 35.6 X 31.6 (187.2 x 90.4 x 80.3)		73.7 H X 35.6 X 31.6 (187.2 x 90.4 x 80.3)		73.7 H X 35.6 X 31.6 (187.2 x 90.4 x 80.3)	
UPS net weight (lb/kg)	1220	1080	1220	1080	1220	1080
Overload capacity	102% up to 110% for 10 min. 110% up to 125% for 30 secs. 125% for 10 secs.		102% up to 110% for 10 min. 110% up to 125% for 30 secs. 125% for 10 secs.		102% up to 110% for 10 min. 110% up to 125% for 10 secs.	
Maximum acoustical (dBA)	65 dBA @ 3 ft (0.9 m)		65 dBA @ 3 ft (0.9 m)		65 dBA @ 3 ft (0.9 m)	
Temperature	operating: 32°F - 104°F (0°C - 40°C)		operating: 32°F - 104°F (0°C - 40°C)		operating: 32°F - 104°F (0°C - 40°C)	
Relative humidity	≤95%, non-condensing		≤95%, non-condensing		≤95%, non-condensing	
Altitude	5000 ft / 1500 m asl without derating		5000 ft / 1500 m asl without derating		5000 ft / 1500 m asl without derating	
Connectivity	ManageUPS Net SNMP/WEB card standard		ManageUPS Net SNMP/WEB card standard		ManageUPS Net SNMP/WEB card standard	

\* Part numbers listed are for single input, non-paralleled modules. Contact factory for additional configurations.

\*\* Allow 1 inch (25.4 mm) on each side for end caps in stand-alone installations.

### CP3000NV options cabinets and bypass

With the CP3080 and CP3160 UPS families, ancillary functions including maintenance bypass, voltage transformation (4x2), and power distribution can be provided in matching options cabinets. These can be bolted to and integrated with the UPS module or installed in a stand alone configuration. Standard options are listed below and many others are available upon request.

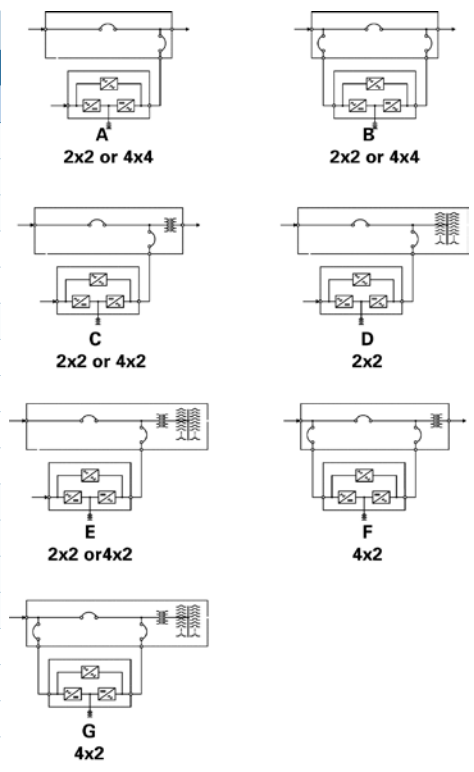
Base module			System/cabinet voltage	Cabinet function							
Model	Module capacity	Module voltage		Maintenance bypass*		Transformer		Power distribution			
			Breakers	kAIC	Type	K-Factor	# of panels	Breakers			
CP3080 (2x2)	60-80 kVA	208/208	208/208	2	65	none	N/A	none	N/A		
CP3080 (2x2)	60-80 kVA	208/208	208/208	3	65	none	N/A	none	N/A		
CP3080 (2x2)	60-80 kVA	208/208	208/208	2	65	none	N/A	2	84		
CP3080 (2x2)	60-80 kVA	208/208	208/208	3	65	isolation	K-1	none	N/A		
CP3080 (2x2)	60-80 kVA	208/208	208/208	2	65	isolation	K-1	2	84		
CP3080 (2x2)	60-80 kVA	208/208	208/208	2	65	isolation	K-13	none	N/A		
CP3080 (4x4)	60-80 kVA	480/480	480/208	2	35	isolation	K-1	none	N/A		
CP3080 (4X4)	60-80 kVA	480/480	480/208	3	35	Isolation	K-1	none	none		
CP3080 (4x4)	60-80 kVA	480/480	480/208	2	35	isolation	K-1	2	84		
CP3080 (4X4)	60-80 kVA	480/480	480/208	3	35	Isolation	K-1	2	84		
CP3080 (4x4)	60-80 kVA	480/480	480/208	2	35	isolation	K-13	none	NA		
CP3080 (4X4)	60-80 kVA	480/480	480/208	3	35	Isolation	K-13	none	none		
CP3080 (4x4)	60-80 kVA	480/480	480/208	2	35	isolation	K-13	2	84		
CP3080 (4X4)	60-80 kVA	480/480	480/208	3	35	Isolation	K-13	2	84		
CP3160 (4x4)	100-160 kVA	480/480	480/208	2	35	isolation	K-1	none	NA		
CP3160 (4x4)	100-160 kVA	480/480	480/208	3	35	isolation	K-1	none	NA		
CP3160 (4x4)	100-160 kVA	480/480	480/208	2	35	isolation	K-1	2	84		
CP3160 (4X4)	100-160 kVA	480/480	480/208	3	35	Isolation	K-1	2	84		
CP3160 (4x4)	100-160 kVA	480/480	480/208	2	35	isolation	K-13	none	NA		
CP3160 (4X4)	100-160 kVA	480/480	480/208	3	35	Isolation	K-13	none	none		
CP3160 (4X4)	100-160 kVA	480/480	480/208	3	35	Isolation	K-13	2	84		
Model	Module capacity	Module voltage	System/cabinet voltage	Maintenance bypass*		Transformer		Power distribution			
CP3080 (2X2)	60-80 kVA	208/208	208/208	2	65	none	N/A	none	NA		
CP3080 (4X4)	60-80 kVA	480/480	480/480	2	35	none	N/A	none	NA		
CP3160 (2X2)	100-160 kVA	208/208	208/208	2	65	none	N/A	none	NA		
CP3160 (4X4)	100-160 kVA	480/480	480/480	2	35	none	N/A	none	NA		
CP3080 (2X2)	60-80 kVA	208/208	208/208	3	65	none	N/A	none	NA		
CP3080 (4X4)	60-80 kVA	480/480	480/480	3	35	none	N/A	none	NA		
CP3160 (2X2)	100-160 kVA	208/208	208/208	3	65	none	N/A	none	NA		
CP3160 (4X4)	100-160 kVA	480/480	480/480	3	35	none	N/A	none	NA		

\* For breaker arrangements not shown or optional mechanical interlocks or solenoid key release units, contact factory.

**Options cabinet (line-up-and-match)- general information**

*(additional configurations available)*

Part #	Form factor	Dimensions	Weight (lb)	System diagram
C3X-082200006N	matching cabinet	73.7"H X 37.2" W X 31.5" D	218	A
C3X-082300006N	matching cabinet	73.7"H X 37.2" W X 31.5" D	243	B
C3X-082284006N	matching cabinet	73.7"H X 37.2" W X 31.5" D	950	D
C3X-082300016N	matching cabinet	73.7"H X 37.2" W X 31.5" D	965	F
C3X-082284016N	matching cabinet	73.7"H X 37.2" W X 31.5" D	950	E
C3X-082200036N	matching cabinet	73.7"H X 37.2" W X 31.5" D	975	C
C3X-088200013N	matching cabinet	73.7"H X 37.2" W X 31.5" D	950	C
C3X-088300013N	matching cabinet	73.7" H X 37.2" W X 31.5" D	990	F
C3X-088284013N	matching cabinet	73.7"H X 37.2" W X 31.5" D	1000	E
C3X-088384013N	matching cabinet	73.7" H X 37.2" W X 31.5" D	1015	G
C3X-088200033N	matching cabinet	73.7"H X 37.2" W X 31.5" D	950	C
C3X-088300033N	matching cabinet	73.7" H X 37.2" W X 31.5" D	990	F
C3X-088284033N	matching cabinet	73.7"H X 37.2" W X 31.5" D	975	E
C3X-088384033N	matching cabinet	73.7" H X 37.2" W X 31.5" D	1015	G
C3X-168200013N	matching cabinet	73.7"H X 44.5" W X 31.5" D	1026	C
C3X-168300013N	matching cabinet	73.7"H X 44.5" W X 31.5" D	1041	F
C3X-168284013N	matching cabinet	73.7"H X 44.5" W X 31.5" D	1051	E
C3X-168384013N	matching cabinet	73.7" H X 44.5" W X 31.5" D	1,051	G
C3X-168200033N	matching cabinet	73.7"H X 44.5" W X 31.5" D	1026	C
C3X-168300033N	matching cabinet	73.7" H X 44.5" W X 31.5" D	1,041	F
C3X-168384033N	matching cabinet	73.7" H X 44.5" W X 31.5" D	1,051	G



**Alternative options cabinet - general information**

MBP20300S2X4A	panelboard	90"H x 38"W x 17"D	345	A
MBP20125S4X4A	panelboard	75"H x 38"W x 17"D	225	A
MBP20600S2X4A	panelboard	90"H x 38"W x 17"D	870	A
MBP20250S4X4A	panelboard	75"H x 38"W x 17"D	345	A
MBP30300S2X4A	panelboard	90"H x 38"W x 17"D	870	B
MBP30125S4X4A	panelboard	75"H x 38"W x 17"D	250	B
MBP30600S2X4A	panelboard	90"H x 38"W x 17"D	870	B
MBP30250S4X4A	panelboard	75"H x 38"W x 17"D	345	B

## Chloride North America

27944 North Bradley Road  
Libertyville, IL 60048  
USA

T: 800 327 8801, 847 816 6000  
F: 847 680 5124

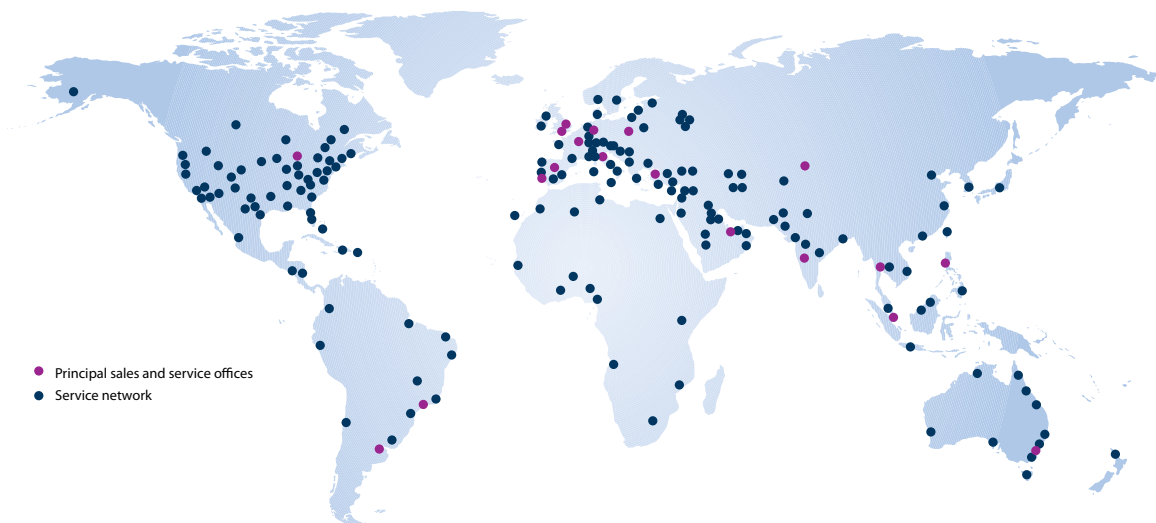
[www.chloridepower.com/usa](http://www.chloridepower.com/usa)

# CHLORIDE

[www.chloridepower.com/usa](http://www.chloridepower.com/usa)

Chloride operates through a worldwide network of Chloride sales and service offices and joint-ventures, with operations across 80 countries including:

Almaty, Kazakhstan	Chicago, USA	Lisbon, Portugal	Paris, France	Singapore
Bangkok, Thailand	Dubai, UAE	Istanbul, Turkey	Pune, India	Southampton, UK
Beijing, China	Erlangen, Germany	Madrid, Spain	Sao Paulo, Brazil	Sydney, Australia
Bologna, Italy	Ho Chi Minh City, Vietnam	Moscow, Russia	Shanghai, China	Warsaw, Poland
Buenos Aires, Argentina				



### Chloride Australia

Ground Floor  
16 Giffnock Avenue, North Ryde  
NSW 2113  
Australia

T: +61 2 9888 1266  
F: +61 2 9888 1966

[www.chloridepower.com.au](http://www.chloridepower.com.au)

### Chloride Middle East

Building 5, Office 104  
Dubai Internet City - Dubai  
UAE  
PO Box 72536

T: +971 4 391 3205  
F: +971 4 391 6803

[www.chloridepower.com/middle-east](http://www.chloridepower.com/middle-east)

### Chloride Brazil

Av. Eng. Alberto de Zagottis, 695  
Jurubatuba - São Paulo - SP  
CEP: 04675-085 Brazil

T: +55 11 5541 5599  
F: +55 11 5541 5599

[www.chloridepower.com.br](http://www.chloridepower.com.br)

### Chloride Thailand

Panjathani Tower, 20th Floor  
127/25 Nonsee Road  
Chongnonsee, Yannawa, Bangkok 10120  
Thailand

T: +662 296 9800  
F: 662 681 0109

[www.chloridepower.com/th](http://www.chloridepower.com/th)

### Chloride United Kingdom

George Curl Way  
Southampton, Hampshire  
SO18 2RY  
United Kingdom

T: +44 (0) 23 8061 0311  
F: +44 (0) 23 8061 0852

[www.chloridepower.co.uk](http://www.chloridepower.co.uk)

### Chloride Italy

Via Fornace, 30  
40023 Castel Guelfo (BO)  
Italy

T: +39 0542 632 111  
F: +39 0542 632 120

[www.chloridepower.com/it](http://www.chloridepower.com/it)

### CHLD Singapore Pte Ltd

2 Corporation Road  
#03-07 Corporation Place  
Singapore  
618494

T: +65 6481 4776  
F: +65 6481 0552

[www.chloridepower.com.sg](http://www.chloridepower.com.sg)

### Chloride Vietnam

Unit 1708, 17th Floor, Gemadep Tower  
06 Le Thanh Ton Street, Ben Nghe Ward  
District 1, Ho Chi Minh City  
Vietnam

T: +84 8 255 6737  
F: +84 8 255 6800

[www.chloridepower.com/vn](http://www.chloridepower.com/vn)